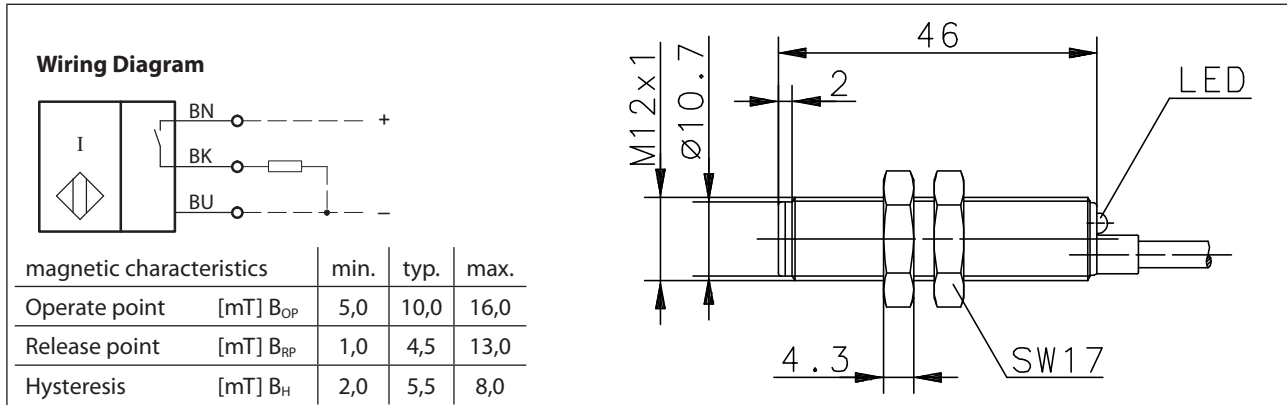


Magnetic proximity sensor Series M12

Description **MHK-2812-2-PNP**

Article number **6379228004**



Identifying characteristics in accordance with EN 60947-5-2

Electrical data		
Switching element function		PNP, N.O.
Repeat accuracy	R	≤ 5 %
Rated operational voltage	U _e	DC 12 ... 48 V (U _{emin} -15 % / U _{emax} +15 %); supply reversal protection
Operational voltage range	U _B	DC 10 ... 60 V
Voltage drop	U _d	≤ 2,5 V
Rated operational current	I _e	200 mA, short circuit protection
Off-state current	I _r	< 100 µA
Frequency of operating cycles	f	100 kHz
Response time for switching on	t _s	< 1 µs
	I _{last}	10 mA
Response time for switching off	t _p	< 6 µs
	I _{last}	10 mA

Mechanical Data	
Enclosure	PA 6, red
End cap	PA 6.6, black
Ambient air temperature	-5 °C bis +70 °C movable condition -20 °C bis +70 °C unmovable condition
Type of protection	IP 67 acc. to EN 60529
Function indication	LED, yellow; output activated
Termination type	Cable 3 x 0,14 mm ² x 2 m, PVC - Outer jacket, black