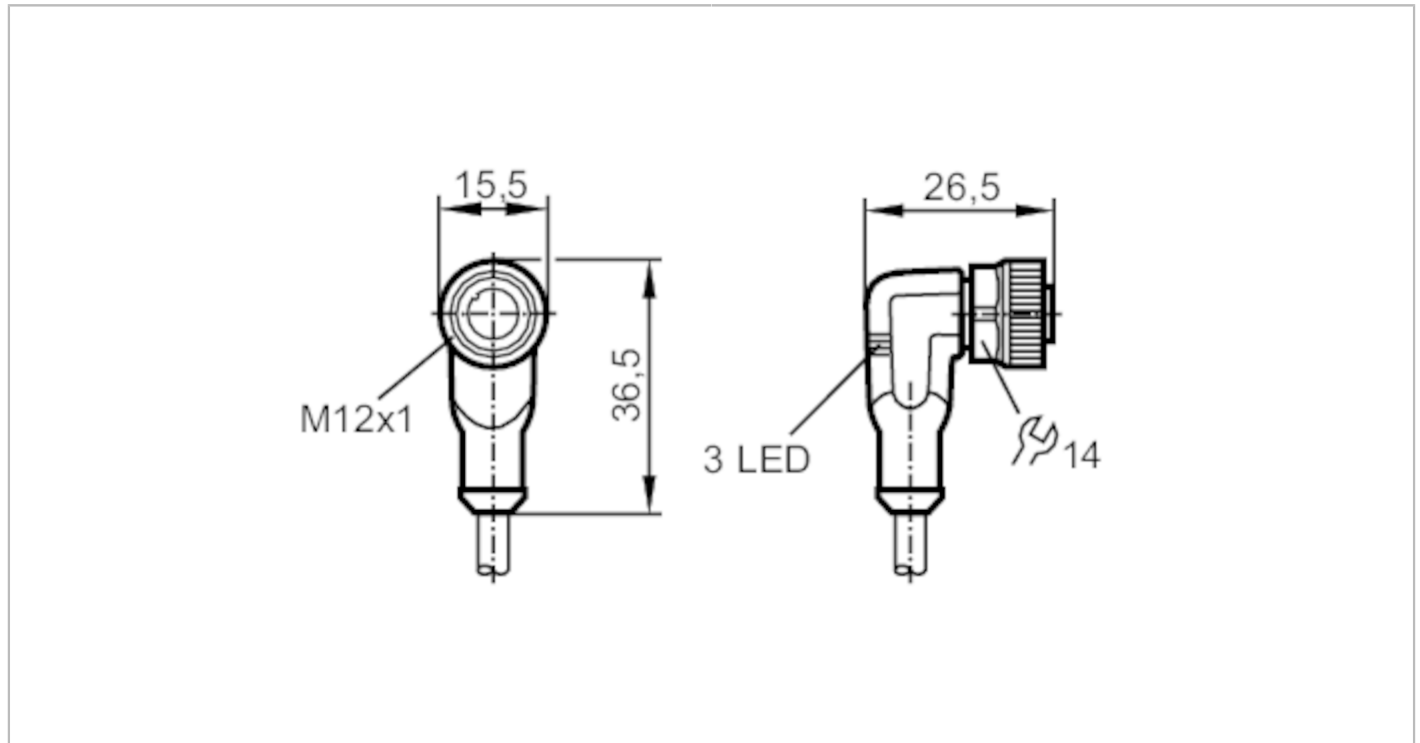


EVW060



Female cordset

ADOAH043SCS0002T04



Application	
System	Free from silicone; Halogen-free; gold-plated contacts; Drag chain suitability
Application	welding applications
Free from silicone	yes
Electrical data	
Operating voltage [V]	10...36 DC
Protection class	II
Max. current load total [A]	4
Overall current rating (UL) [A]	3
Outputs	
Electrical design	PNP
Operating conditions	
Ambient temperature [°C]	-25...90
Note on ambient temperature	cULus: ...75 °C
Ambient temperature (moving) [°C]	-25...90
Note on ambient temperature (moving)	cULus: ...75 °C
Protection	IP 65; IP 67; IP 68; IP 69K

EVW060



Female cordset

ADOAH043SCS0002T04

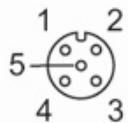
Mechanical data		
Weight [g]	91.7	
Dimensions [mm]	26.5 x 15.5 x 36.5	
Material	housing: TPU (urethane) black transparent; sealing: FKM	
Material nut	brass, weld coated	
Drag chain suitability	yes	
Drag chain suitability	Bending radius for flexible applications	min. 10 x cable diameter
	Travel speed	max. 3.3 m/s for a horizontal travel length of 5 m and max. acceleration of 5 m/s ²
	Bending cycles	> 2 Mio.
	Torsional strain	± 180 °/m

Displays / operating elements		
Display	Switching status	1 x LED, yellow
	Switching status	1 x LED, white
	Power	1 x LED, green

Remarks	
Pack quantity	1 pcs.

Electrical connection
Cable: 2 m, PUR, Halogen-free, grey, Ø 4.9 mm; not irradiated (can be recycled); resistant to welding sparks; 4 x 0.34 mm² (42 x Ø 0.1 mm)

Electrical connection - Socket
Connector: 1 x M12, angled; coding: A; Locking: brass, weld coated; Contacts: gold-plated; Tightening torque: 0.6...1.5 Nm



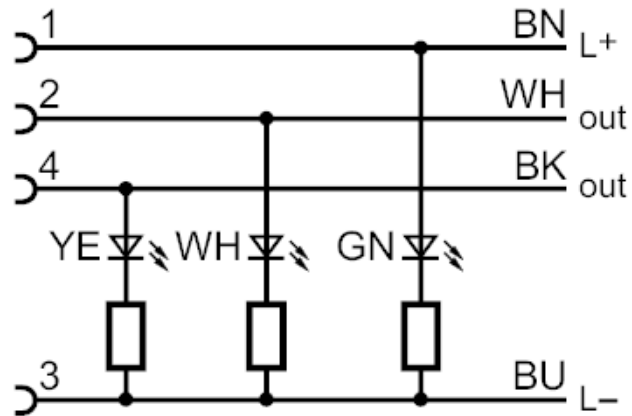
EVW060



Female cordset

ADOAH043SCS0002T04

Connection



Core colors :

BK = black
BN = brown
BU = blue
WH = white