

### GENERAL CHARACTERISTICS

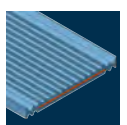
**GANTREX® MK2.0** pads have been specially designed for the discontinuous soft mounting of rail on concrete using GANTREX® chairs and rail fixing clips.

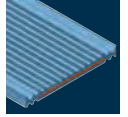
**GANTREX® MK2.0** pads:

- eliminate the load concentrations at the edge of the chairplate :
  - their chamfered edges reduce the stress concentrations;
  - pressures under the chair are reduced;
  - the concrete is protected from cracking.
- reduce rail and chair wear :
  - absorb uneven surfaces;
  - improve contact between rail and chair.
- are manufactured in thermoplastic elastomer and feature lugs to prevent longitudinal slippage.
- are specially resistant to wear, shear, crushing, oils, greases, ozone and oxygen, as well as ultra-violet rays.

### MATERIAL CHARACTERISTICS

- Composition : EVA copolymer.
- Shore hardness : 95 A (DIN 53505).
- Tensile strength : 12.5 N/mm<sup>2</sup> minimum (DIN 53455).
- Elongation : 250 % minimum (DIN 53455).
- Working stress in compression :
  - up to 50°C : 20 N/mm<sup>2</sup>.
  - up to 70°C : 15 N/mm<sup>2</sup>.
- Service temperature : from -25°C up to +75°C.  
For other temperatures, please consult us.

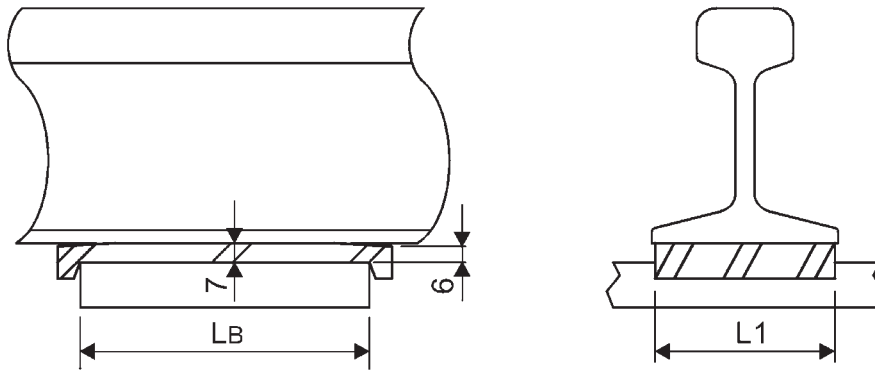




### PERMISSIBLE CHAIR LOAD

The maximum permissible load per chair can be calculated and is a function of rail and chair dimensions and the acceptable working stress for the **GANTREX**® **MK2.0** pads. The design load should also consider grout and concrete strengths and fatigue.

### DESIGNATION AND DIMENSIONS



**GANTREX**® pad MK2.0 – Lb x L1

Lb : dimension of the chair in the rail axis. Standard lengths are : 110, 160 or 220 mm.

L1 : reduced width, always 5 to 8 mm less than the rail foot width (F).

Ex. : for mounting a GX42 rail (foot width : F = 131.8 mm) on 160 mm-long chairs :  
MK2.0 - 160B x 125.

### APPLICATION FOR SMALL SIZE RAILS

For small size rails, when fastened with GANTREX® clips type 21/020 or 51/015, **GANTREX**® MK2.0-type pad - **thickness 4 mm**, instead of 7 mm - must be used

For further information, please refer to our data sheet covering discontinuous mounting, or contact our Technical Department.

*We reserve the right to discontinue or change specifications or design at any time without prior notice and without incurring any obligation whatsoever.*

