

Produktdatenblatt / Product Data Sheet

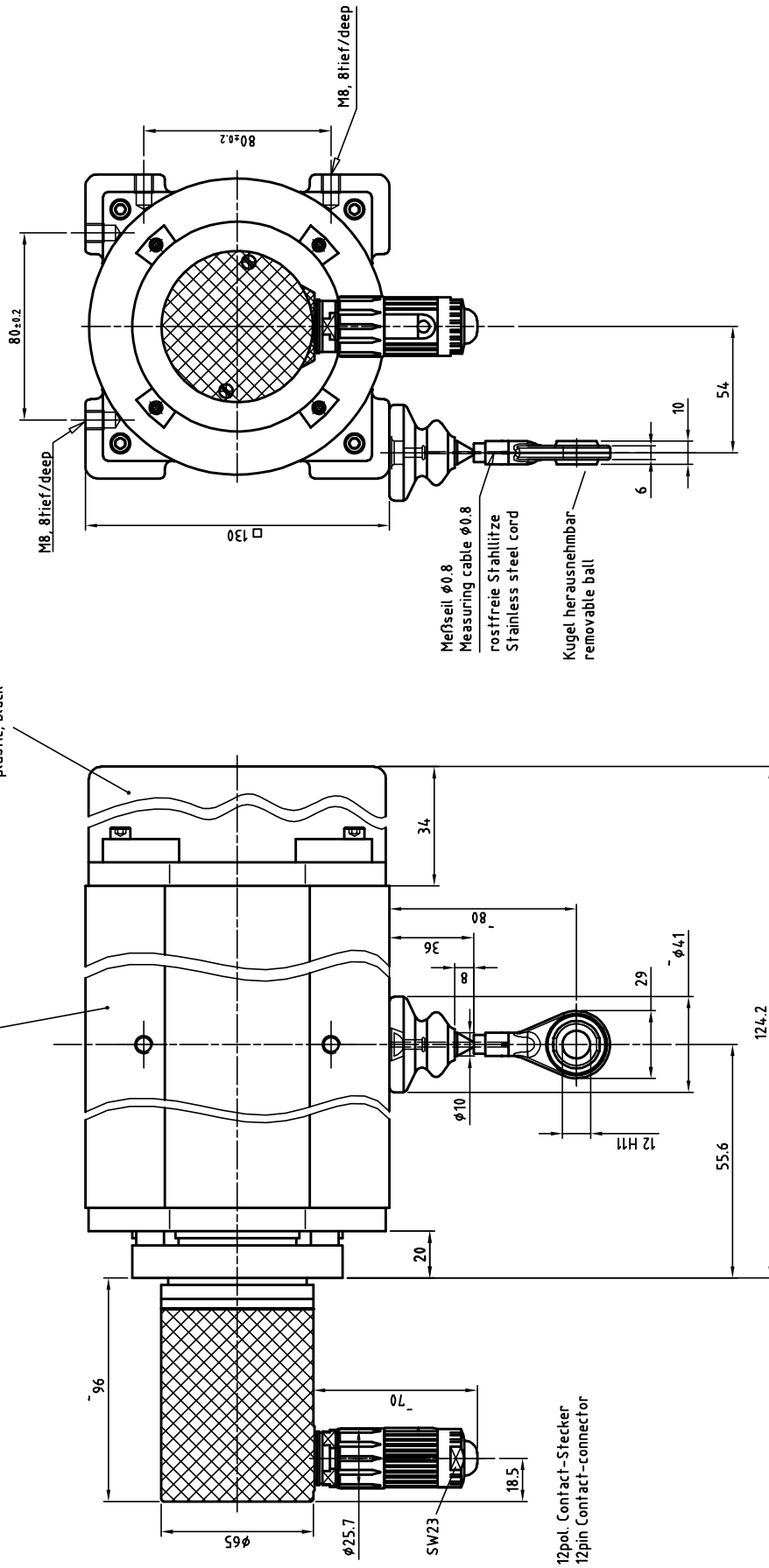
Art.: CEW65M-01829 CEW65M*4096/4096 (ALT: 110-01829)+SL3005

NO.OF STEPS/REV	4.096,000
NO. OF REVOLUTIONS	4.096,000
INTERFACE	SSI
OPTIONS SLG	
CODE	PROGRAMMABLE
SUPPLY VOLTAGE	11-27V
OUTPUT LEVEL	RS422
PROTECTION TYPE	IP65
TEMPERATURE RANGE	-20+70°C
FLANGE TYPE	ZB50
SHAFT TYPE	6RD/18,3
CONNECTOR TYPE	CONTACT 12P
CONNECTOR-POSITION	CONNECTOR RADIAL ON HOUSING
cable length (m)	
PINOUT NO.	185E
MATING PLUG	YES
OPTIONS ENC	F/R
	PRESET 1+2
OPTIONS ENC	PROGRAMMABLE
	ROPE LENGTH TRANSMITTER
OPTIONS ENC	SL3005
DRAWING NO.	04-CEW65M-M0027
VERSIONNO	000
WINPROG-DATEI	CE831-095
SOFTNR	437696
KPL-GERAET	KPL-GERAET
DOCUMENTATION NO	DOKUMENTE
GEWOGEN	

GL	= Wellenausführung glatt / shaft type cylindrical
FL	= Wellenausführung mit Fläche / shaft type with flat surface
N	= Wellenausführung mit Nut / shaft type with slot
Hohlw	= Hohlwelle / hollow shaft
Klemme	= mit Klemmring / with clamping ring
Grundw	= Grundwelle / fundamental shaft
SLG	= Seillängengeber / cable retractor
ZB	= Zentrierbund / centre ring
Tachofl	= Tachoflansch / tachometer flange
DAG	= DAG-Schutzgehäuse / DAG protective housing
TK	= Teilkreis / pitch circle

Trommelgehäuse
Aluminium, eloxiert natur
Housing
Aluminium, anodized natural

Federkasten
Kunststoff, schwarz
Spring case
plastic, black



12pol. Contact-Stecker
12pin Contact-connector

Übersetzung
0.05%
Feder-Rückzugkraft
7.5N (Anfang) / 15N (Ende)
Max. Verstellgeschw.
4m/s
Schutzart
IP65
Temperaturbereich
-20°C bis +70°C
Biegeradius Meißseil
R=16mm

3Umdr./m
0.05%
7.5N (Anfang) / 15N (Ende)
4m/s
IP65
-20°C bis +70°C
R=16mm

Gear ratio
Accuracy gear ratio
Spring pull-back power
Max. control speed
Protection ratings
Temperature ratings
Bending radius, measuring wire cable
R=16mm

3revol./m
0.05%
7.5N (origin) / 15N (end)
4m/s
IP65
-20°C bis +70°C
R=16mm

Artikel-Nr. und Steckerbelegung: siehe Datenblatt
Article-No. and pin connections: see data sheet

TR		TR Electronic GmbH Eglishalde 6 78647 Trossingen Telefon 071425/228-0		Maßstab 1:2		DIN A3		Projekt-Nr.	
				Zeichnungs-Nr. nur für diese Ausführung gültig Drawing-No. only for this type valid		CEW-65-M, pull of rope encoder 0-5m rope		Blatt 1	
				Name		Name		Zeichnungs-Nr./Drawing-No.:	
		Datum		Name		Name		04-CEW65M-M0027	
		Erstellt 03.02.2006		HABETLER		HABETLER			
		Bearb. 03.02.2006		HABETLER		HABETLER			
		Gepr.							
		Norm							
		www.tr-electronic.de		www.tr-electronic.de		www.tr-electronic.de			
		DXF+Info:		DXF+Info:		DXF+Info:			
		info@tr-electronic.de		info@tr-electronic.de		info@tr-electronic.de			
		Zust.		Änderung		Datum		Name	
12		H11 ± 0.11							
		Tolerances							

12 H11 ± 0.11
Tolerances

Pin assignment: 185 E 12 pin CONTACT

Pin	Designation	Description	Level	Driver	NC colour
1	SSI_Clock-_IN	clock input -	RS 422	RS 422	white
2	SSI_Clock+_IN	clock input +	RS 422	RS 422	brown
3	SSI_DATA+_OUT	data output +	RS 422	RS 422	green
4	SSI_DATA-_OUT	data output -	RS 422	RS 422	yellow
5	Ser. Program+_IN/OUT	ser. programming interface RS 485	RS 485	RS 485	gray
6	Ser. Program-_IN/OUT	ser. programming interface RS 485	RS 485	RS 485	pink
7	not connected				
8	Direction IN	counting direction increasing	supply V		0 red
9	Preset1_IN	preset value 1	supply V		0 black
10	Preset2_IN	preset value 2	supply V		0 violet
11	Supply Voltage IN	supply voltage	11-27 V		gray/pink
12	Ground IN	ground	0 V		red/blue

WARNING!!

Wiring, opening and closing of electrical connections must be carried out in dead condition only !!!
 Short-circuits, voltage spikes etc. can cause malfunctions and uncontrolled conditions of the installation and constitute a risk of personnel injury or damage to property.