

## SECTION 6

### MAGNALOY ROD END ALIGNMENT COUPLERS

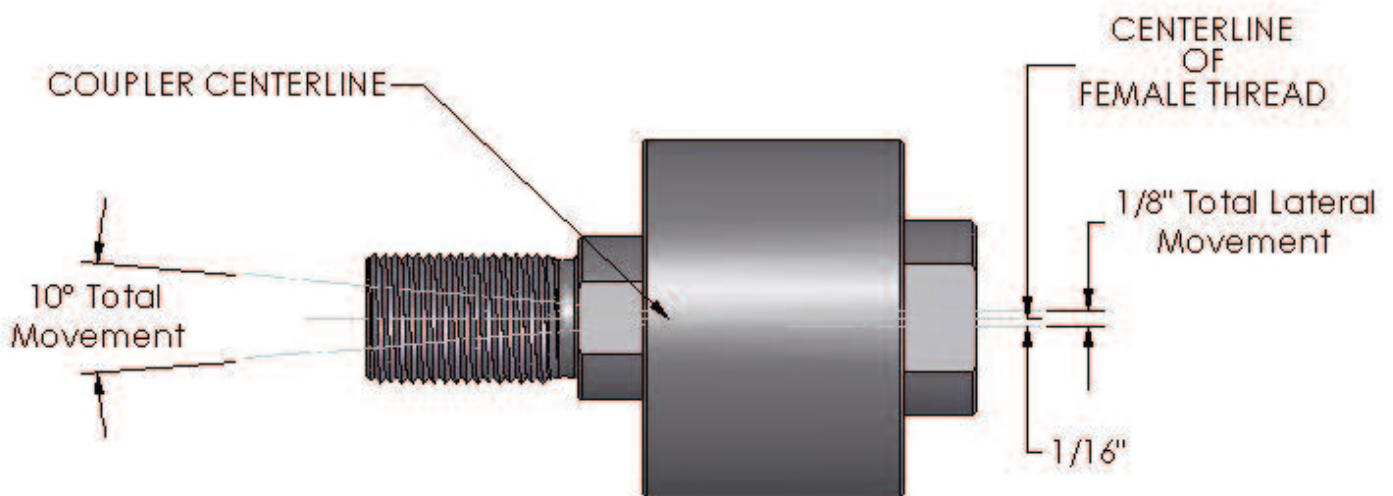


**NOTE:** Due to Magnaloy's policy of continuous improvement, specifications are subject to change without notice.  
Check with the factory or our Web Site at [www.magnaloy.com](http://www.magnaloy.com) for the latest information.



## Time and Money Saving Features...

- Eliminates need for custom designing.
  - Simplifies cylinder installation.
  - Increases design tolerances.
  - Cuts cylinder repairs.
  - Increases cylinder life - easier on seals, wiper, bearing surfaces and cushion parts.
  - Compensates for machinery deflection and cuts bearing wear from side loads and binding.
  - Allows equally effective angular or lateral displacement in either direction, push or pull.
  - Immediate delivery from stock on thread sizes thru 1 1/2".
  - Adjusted at factory, no clearance of end play.
  - Same load rating push or pull.
  - Internal thread mates with standard style No. 2 cylinder piston rods; external with style No. 3.
- Total of 10° Spherical Movement in push or pull.
  - Total of 1/8" Lateral Movement.
  - Manufactured from high tensile and hardened materials.
  - Lubricated at factory.

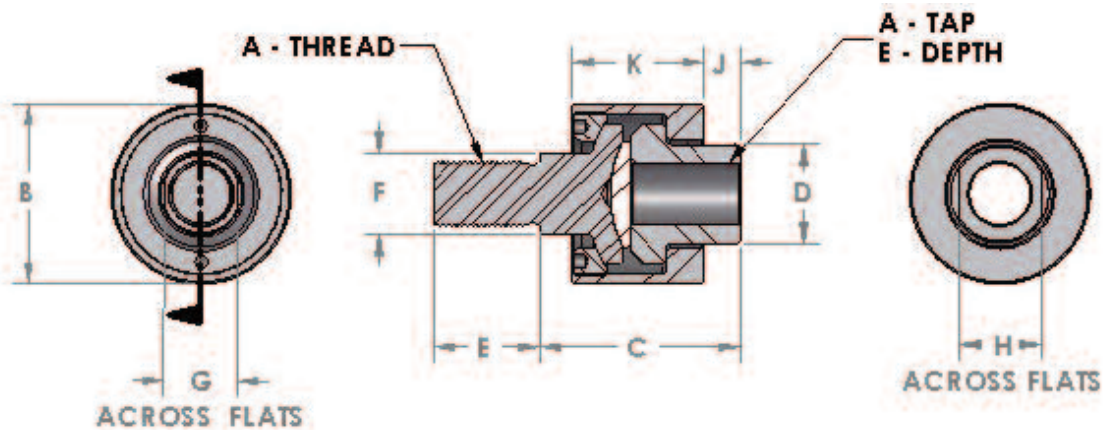


# M - Series Dimensions

## M - Series

| PART NO.                               | A<br>THREAD<br>SIZE          | B      | C*     | D     | E     | F              | G     | H                       | J*    | K     | MAX.<br>RATED<br>LOAD         | PULL AT<br>YEILD              | APROX.<br>WEIGHT<br>(LBS.) |
|--|------------------------------|--------|--------|-------|-------|----------------|-------|-------------------------|-------|-------|-------------------------------|-------------------------------|----------------------------|
| M010-01024<br>M010-01224               | 5/16-24<br>3/8-24            | 1.562  | 1.750  | 0.750 | 0.500 | 0.625          | 0.500 | 0.625                   | 0.375 | 1.031 | 1,450<br>2,425                | 8,800<br>9,700                | 0.5                        |
| M015-01420<br>M015-01620               | 7/16-20<br>1/2-20            | 1.562  | 2.000  | 0.750 | 0.750 | 0.625          | 0.500 | 0.625                   | 0.500 | 1.031 | 3,250<br>4,450                | 13,000<br>17,800              | 0.6                        |
| M020-02018<br>M020-02416<br>M020-02814 | 5/8-18<br>3/4-16<br>7/8-14   | 2.125  | 2.312  | 1.250 | 1.125 | 1.000          | 0.875 | 1.125                   | 0.531 | 1.312 | 7,150<br>9,050<br>14,450      | 28,600<br>36,200<br>57,800    | 1.4                        |
| M030-10014                             | 1-14                         | 2.750  | 3.062  | 1.500 | 1.625 | 1.250          | 1.125 | 1.250                   | 0.562 | 2.000 | 19,425                        | 77,700                        | 3.3                        |
| M040-10812                             | 1-1/4-12                     | 3.500  | 4.000  | 2.000 | 2.000 | 1.500          | 1.250 | 1.687                   | 0.750 | 2.500 | 30,825                        | 123,300                       | 6.9                        |
| M050-11612<br>M050-12412               | 1-1/2-12<br>1-3/4-12         | 4.000  | 4.375  | 2.250 | 2.250 | 1.750<br>2.000 | 1.500 | 1.937                   | 0.875 | 2.750 | 45,750<br>58,350              | 183,000<br>233,400            | 9.8                        |
| M060-12812<br>M060-20012               | 1-7/8-12<br>2-12             | 5.000  | 5.625  | 3.000 | 3.000 | 2.250          | 2.000 | 2.625                   | 1.375 | 3.375 | 67,550<br>77,450              | 270,200<br>309,800            | 19.8                       |
| M070-20812                             | 2-1/4-12                     | 6.750  | 6.375  | 3.250 | 3.500 | 2.750          | 2.375 | 2.875                   | 1.625 | 3.750 | 99,250                        | 397,000                       | 35.3                       |
| M080-21612<br>M080-22412<br>M080-30012 | 2-1/2-12<br>2-3/4-12<br>3-12 | 7.000  | 6.500  | 4.000 | 3.500 | 3.250          | 2.875 | 3.375<br>3.375<br>3.500 | 1.625 | 3.875 | 123,750<br>150,950<br>180,850 | 495,000<br>603,800<br>723,400 | 45.3                       |
| M100-30812                             | 3-1/4-12                     | 9.250  | 8.500  | 5.250 | 4.500 | 4.000          | 3.375 | 4.500                   | 2.000 | 5.500 | 213,450                       | 853,800                       | ---                        |
| M140-40812                             | 4 1/4-12                     | 12.875 | 11.250 | 7.750 | 4.500 | 5.500          | 4.875 | 7.000                   | 1.500 | 8.750 | 370,850                       | 1,483,400                     | ---                        |

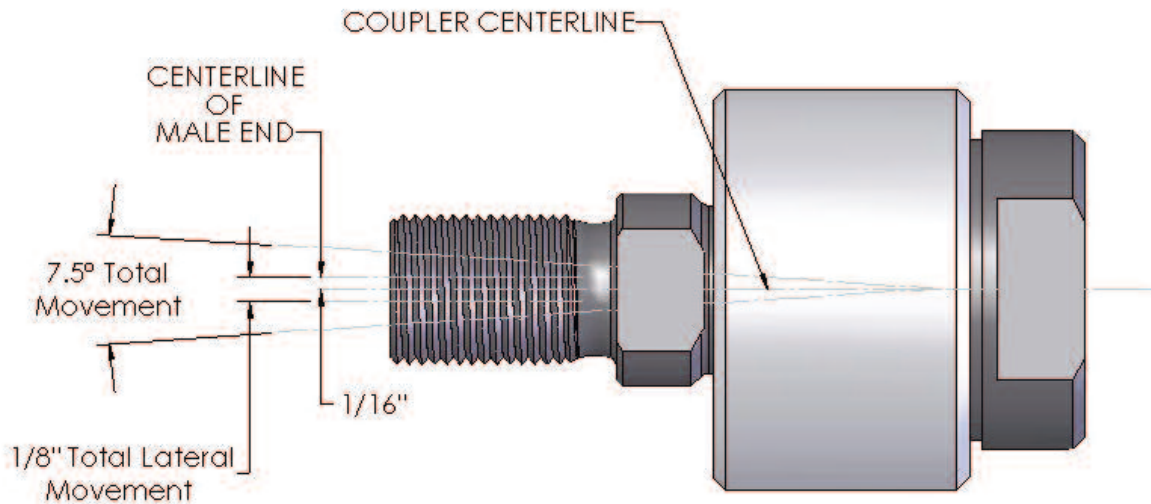
\* Tolerance +/- .030 inch, all other dimensions +/- .015 inch



## M - Series



- Lubricated at factory.
- Adjusted at factory, no clearance or end play.
- Same load rating - push or pull.
- Internal thread mates with standard style No. 2 cylinder piston rods; external thread with style No. 3.
- Total of  $7\ 1/2^\circ$  Spherical Movement and  $1/8$ " Lateral movement capabilities.
- Designed to retro-fit with competitive brands while offering increased strength and misalignment capabilities.
- Manufactured from high tensile and hardened materials for additional strength and dependability.

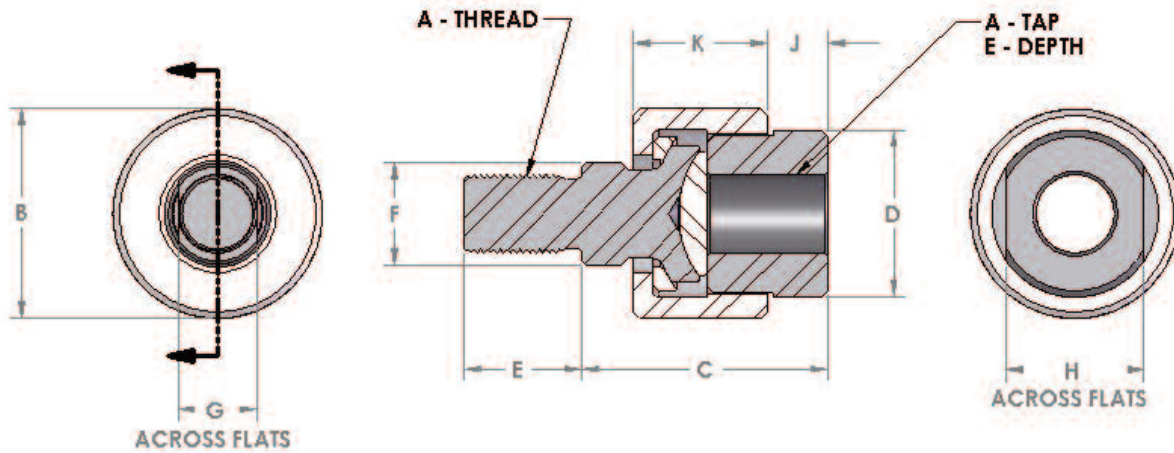


# R - Series Dimensions

## R - Series

| PART NO.                               | A<br>THREAD<br>SIZE         | B     | C*    | D     | E     | F     | G     | H     | J*    | K     | MAX.<br>RATED<br>LOAD   | APROX.<br>WEIGHT<br>(LBS.) |
|--|-----------------------------|-------|-------|-------|-------|-------|-------|-------|-------|-------|-------------------------|----------------------------|
| R010-01024<br>R010-01224               | 5/16-24<br>3/8-24           | 1.115 | 1.770 | 0.920 | 0.500 | 0.500 | 0.375 | 0.750 | 0.460 | 0.930 | 1,450<br>2,425          | 0.35                       |
| R020-01420<br>R020-01620<br>R020-02018 | 7/16-20<br>1/2-20<br>5/8-18 | 1.365 | 1.988 | 1.115 | 0.750 | 0.625 | 0.500 | 0.875 | 0.440 | 1.088 | 3,250<br>4,450<br>6,800 | 0.55                       |
| R030-02416<br>R030-02814               | 3/4-16<br>7/8-14            | 1.990 | 2.340 | 1.600 | 1.125 | 0.969 | 0.750 | 1.313 | 0.600 | 1.282 | 9,050<br>14,450         | 1.4                        |
| R040-10014<br>R040-10812               | 1-14<br>1-1/4-12            | 3.115 | 2.964 | 2.360 | 1.625 | 1.450 | 1.250 | 1.875 | 0.743 | 1.794 | 19,425<br>30,825        | 4.8                        |

\* Tolerance +/- .030 inch, all other dimensions +/- .015 inch



## R - Series

