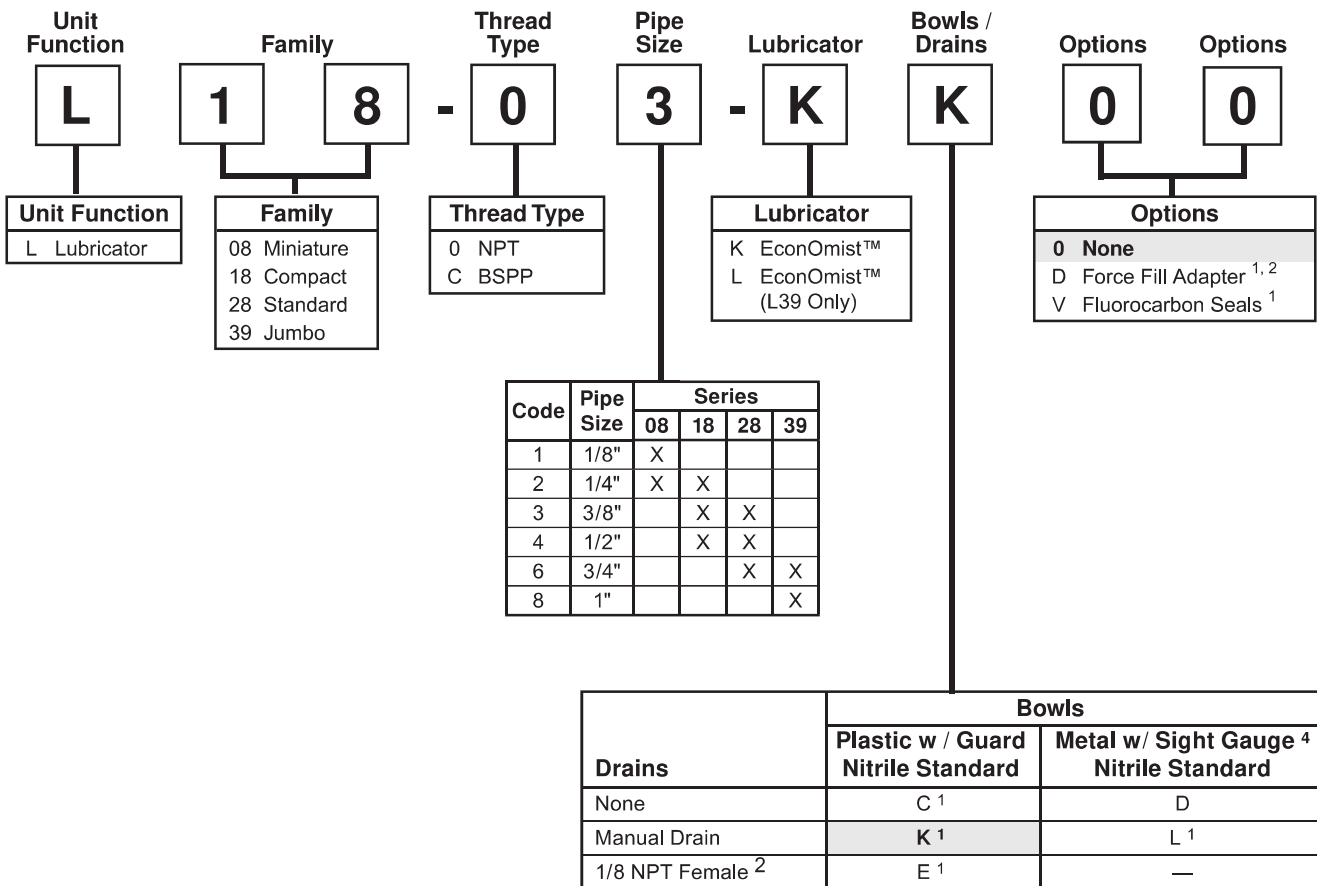


Lubricator Numbering System

 = "Most Popular"

B



¹ Not available on 39 Series.

² Not available on L08.

³ ISO, R228 (G Series).

⁴ No sight gauge on L08.

Note: When selecting from the options columns, please enter letters in alphabetical order for positions 7, 8, and 9. For example:

L 1 8 - 0 3 - K K 0 0

Lubricator L28 EconOmist™

 = "Most Popular"

Specifications

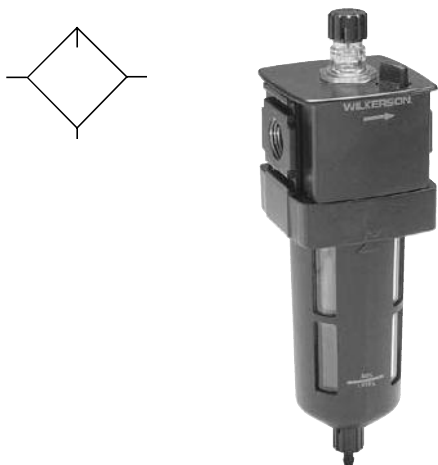
Flow Capacity*	3/8	176 SCFM (83.0 dm ³ /s)
	1/2	184 SCFM (86.8 dm ³ /s)
	3/4	200 SCFM (94.3 dm ³ /s)
Initial Drip Flow	1.26 SCFM	
Maximum Supply Pressure	Plastic Bowl	150 PSIG (10.3 bar)
	Metal Bowl	250 PSIG (17.2 bar)
Minimum Flow for Lubrication	1.3 SCFM@ 100 PSIG	
Operating Temperature	Plastic Bowl	32° to 125°F (0° to 52°C)
	Metal Bowl	32° to 150°F (0° to 65.5°C)
Port Size	NPT / BSPP-G	3/8, 1/2, 3/4
Weight	1.9 lb. (0.9 kg)	

* Inlet pressure 150 PSIG (10.3 bar). Pressure drop 5 PSID (0.3 bar).

Materials of Construction

Body	Zinc	
Body Cap	ABS	
Bowls	Plastic Bowl	Polycarbonate
	Metal Bowl	Aluminum
Pick-up Filter	Sintered Bronze	
Seals	Plastic Bowl	Nitrile
	Metal Bowl	Nitrile
Sight Dome	Polycarbonate	
Sight Gauge	Metal Bowl	Polyamide (Nylon)
Suggested Lubricant	Airline Oil F442001	

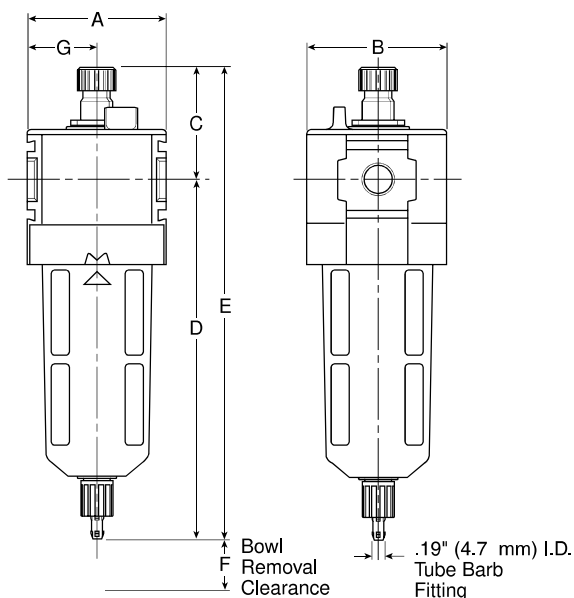
B



L28-03-KK00

Features

- Integral Sight Dome and Adjustment Knob
- 3/4" NPT / BSPP-G Over-port
- Can be Filled while Under Pressure
- Quick-disconnect Bowl / Bowl Guard
- Manual Drain
- High Flow Capacities



Dimensions

Models	Inches (mm)	A	B	C	D	E	F	G
Standard Unit with Manual Drain L28-XX-KK00		2.90 (74)	2.90 (74)	2.56 (65)	7.36 (187)	9.92 (252)	2.00 (51)	1.45 (37)
Metal Bowl with Sight Gauge / Manual Drain		2.90 (74)	2.90 (74)	2.56 (65)	7.36 (187)	9.92 (252)	2.00 (51)	1.45 (37)

Replacement Bowl Kits

- Metal Bowl with Sight Gauge, Manual Drain..... GRP-96-644
- Plastic Bowl / Bowl Guard, Manual Drain..... LRP-96-702

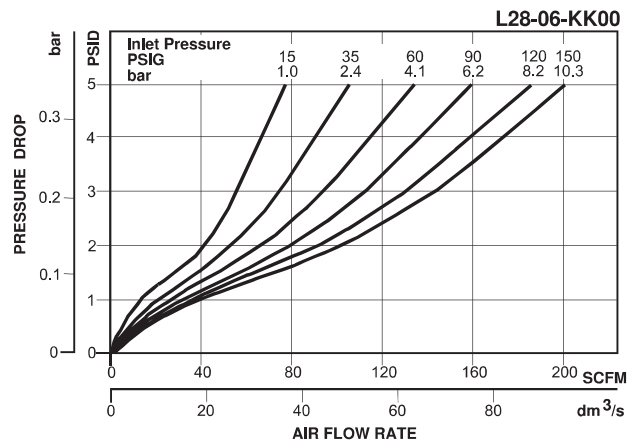
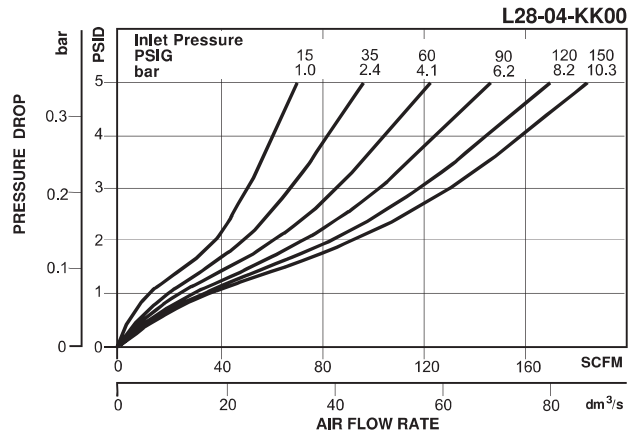
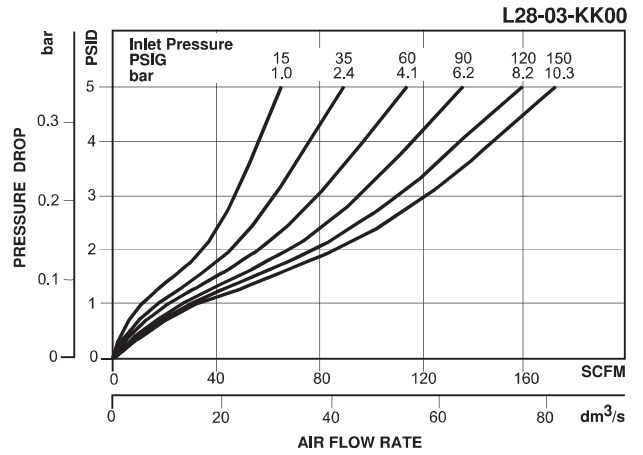
Replacement Kits

- Bowl O-ring, Nitrile..... GRP-96-654
- Bowl O-ring, Fluorocarbon..... GRP-96-755
- Bypass Assembly..... LRP-96-678
- Fill Plug Kit..... LRP-96-679
- Sight Dome Assembly –
 - Old Style, L28-XX-LK00..... LRP-96-710
 - New Style Polycarbonate, L28-XX-KK00..... LRP-96-310
 - New Style Nylon..... LRP-96-312
- Siphon Tube Assembly..... LRP-96-681

Accessories

- Force Fill Adapter..... LRP-96-704
- Sight Gauge Kit..... GRP-96-825
- Wall Mounting Bracket –
 - L-Type..... GPA-96-605
 - T-Type..... GPA-96-602

 = “Most Popular”



Ordering Information

Model Type	Port Size	Plastic Bowl / Bowl Guard	Metal Bowl / Sight Gauge
Manual Drain	3/8	L28-03-KK00	L28-03-KL00
	1/2	L28-04-KK00	L28-04-KL00
	3/4	L28-06-KK00	L28-06-KL00

Options - To order an option supplied with the unit model, add the appropriate coded suffix letter in the designated position of the model number.

