

---

# POLYPAC<sup>®</sup> - Selemaster SM



---

Single Acting

---

Compact Rod Seal

---

With Anti-extrusion Ring

**Material:**

Rubber + Fabric Reinforced

Rubber + POM

---



## ■ Selemaster SM



### Description

The rod seal range has been designed to meet the needs of hydraulic equipments operating at high pressures and subjected to severe loading and vibration conditions.

The main sealing element is manufactured in a highly compression set resistant nitrile. The most important quality of this element is the design of the multiple sealing lips for maximum sealing efficiency and end face configuration, which ensures that the selemaster can tolerate vibrations and severe misalignment.

The support ring is made in cotton fabric reinforced nitrile elastomer; the "U" shape is energised when pressure is applied.

The last element is the anti-extrusion ring manufactured in POM.

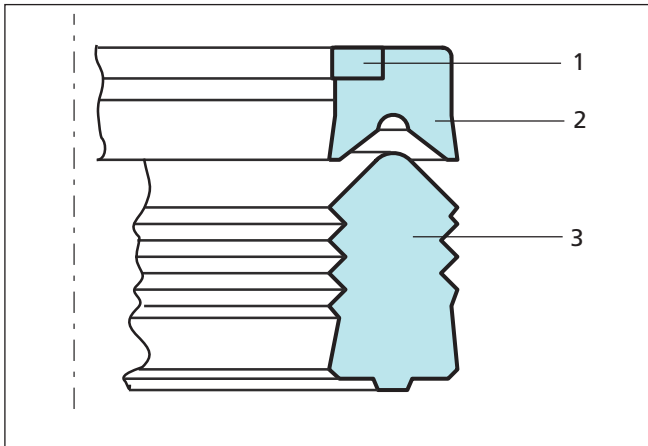


Figure 34 Selemaster design  
 1) POM anti-extrusion ring  
 2) Support ring in cotton fabric reinforced nitrile, NBR 80 Shore A  
 3) Sealing element in nitrile, NBR 80 Shore A

### Note

- For low-temperature application -50 °C to +110 °C a special material - code N7C0 - Polypac Ref.: /1AX - 2187 is available

### Advantages

- High sealing efficiency
- Effective sealing during vibration and shock loading
- Extrusion resistance at high pressure

### Application Examples

- Earth-moving machines
- Excavators
- Lift platforms

### Technical Data

Operating conditions

Pressure: Up to 70 MPa

Velocity: Up to 0.5 m/s

Temperature: -40 °C to +130 °C

Media: Hydraulic fluids  
 Mineral oil-based hydraulic fluids,  
 water and water/glycol emulsions

Groove type: Open

#### Important Note:

The above data are maximum values and cannot be used at the same time. e.g. the maximum operating speed depends on material type, pressure, temperature and gap value. Temperature range also dependent on medium.



**■ Installation Recommendation**

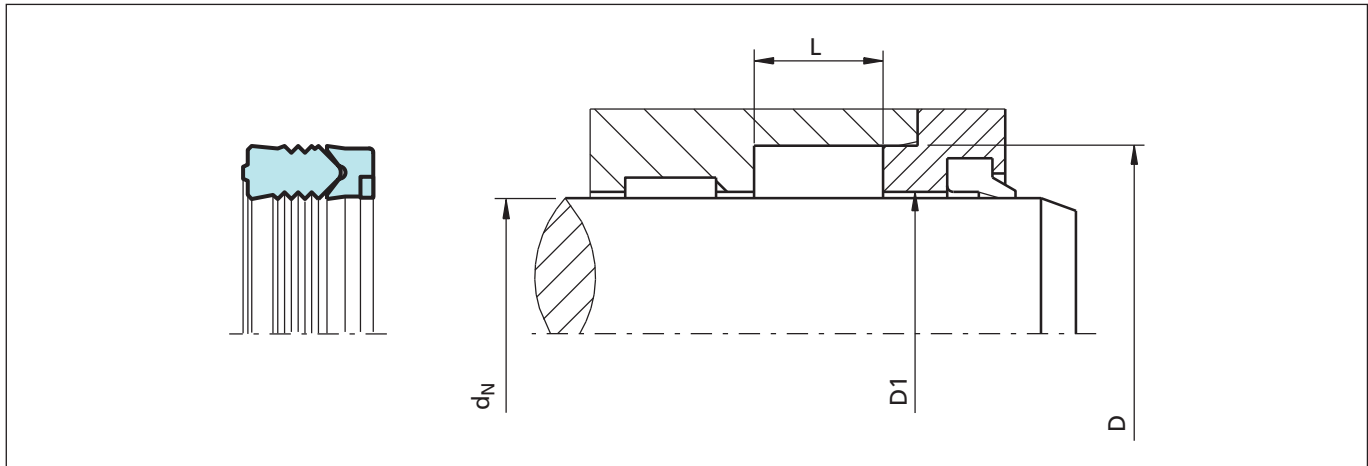


Figure 35 Installation drawing

**Ordering Example**

Selemaster RCK  
 Rod diameter:  $d_N = 50.0 \text{ mm}$   
 Groove diameter:  $D = 65.0 \text{ mm}$   
 Groove width  $E = 24.5 \text{ mm}$   
 TSS Part No.: RCK100500  
 Material code: N8C0 standard  
 Polypac Ref.: SM 255196/1AX

TSS Article No.	RCK	0	00500	-	N8C0
TSS Series No.					
Type (Standard)					
Rod diameter x 10					
Quality Index (standard)					
Material Set-code					

**Table XXVIII Installation dimensions / TSS Article No.**

Rod Dia.	Groove Dia.	Groove Width	Dia.	TSS Article No. Standard	Description
$d_N \text{ h9}$	$D \text{ H10}$	$L \text{ } +0.4$	$D_1 \text{ } +/-0.1$		
15.00	27.00	20.00	15.40	RCK000150-N8C0	SM 106059/1AX
20.00	33.00	20.00	20.40	RCK000200-N8C0	SM 129078/1AX
22.00	35.00	20.00	22.40	RCK000220-N8C0	SM 137086/1AX
25.00	38.00	20.00	25.40	RCK000250-N8C0	SM 149098/1AX
28.00	41.00	20.00	28.40	RCK000280-N8C0	SM 161110/1AX
30.00	43.00	20.00	30.40	RCK000300-N8C0	SM 169118/1AX
32.00	47.00	22.50	32.40	RCK000320-N8C0	SM 185125/1AX
35.00	45.00	25.60	35.40	RCK000350-N8C0	SM 177137/1AX
35.00	47.00	22.50	35.40	RCK100350-N8C0	SM 185137/1AX

^ Available upon request

# POLYPAC® - Selemaster SM



Rod Dia.	Groove Dia.	Groove Width	Dia.		TSS Article No. Standard	Description
$d_N$ h9	D H10	L +0.4	$D_1$ +/-0.1			
35.00	50.00	22.50	35.40		RCK200350-N8C0	SM 196137/1AX
36.00	51.00	22.50	36.40		RCK000360-N8C0	SM 200141/1AX
38.10	50.80	23.90	38.50		RCK000381-N8C0	SM 200150/1AX
40.00	52.00	22.50	40.40		RCK200400-N8C0	SM 204157/1AX
40.00	55.00	22.60	40.40		RCK100400-N8C0	SM 216157/1AX
40.00	60.00	30.00	40.40		RCK000400-N8C0	SM 236157/1AX
45.00	60.00	22.50	45.40		RCK000450-N8C0	SM 236177/1AX
45.00	65.00	28.00	45.40		RCK100450-N8C0	SM 255177/1AX
50.00	63.00	20.00	50.40		RCK000500-N8C0	SM 248196/1AX
50.00	65.00	24.50	50.40	^	RCK100500-N8C0	SM 255196/1AX
50.00	65.00	26.50	50.40		RCK200500-N8C0	SM 255196/2AX
50.00	65.00	22.50	50.40		RCK300500-N8C0	SM 255196/1BX
50.00	70.00	30.00	50.40		RCK400500-N8C0	SM 275196/1BX
50.00	70.00	31.90	50.40		RCK500500-N8C0	SM 275196/1AX
50.80	66.67	24.90	51.20		RCK000508-N8C0	SM 262200/1AX
55.00	70.00	25.00	55.40		RCK000550-N8C0	SM 275216/1AX
55.00	70.00	22.50	55.40		RCK100550-N8C0	SM 275216/2AX
55.00	75.00	32.00	55.40		RCK200550-N8C0	SM 295216/1AX
55.00	75.00	30.00	55.40	^	RCK300550-N8C0	SM 295216/2AX
56.00	71.00	25.00	56.40		RCK000560-N8C0	SM 279220/1AX
56.00	76.00	28.00	56.40		RCK100560-N8C0	SM 299220/1AX
60.00	75.00	25.00	60.40		RCK000600-N8C0	SM 295236/1AX
60.00	75.00	22.50	60.40		RCK100600-N8C0	SM 295236/2AX
60.00	77.00	27.00	60.40		RCK200600-N8C0	SM 303236/1AX
60.00	80.00	34.90	40.40	^	RCK300600-N8C0	SM 314236/1AX
63.00	83.00	29.00	63.40		RCK000630-N8C0	SM 326248/1AX
63.00	83.00	27.00	63.40		RCK100630-N8C0	SM 326248/1BX
63.50	82.55	26.60	63.90		RCK000635-N8C0	SM 325250/1AX
65.00	85.00	29.00	65.40		RCK000650-N8C0	SM 334255/1AX
70.00	83.00	25.00	70.40		RCK000700-N8C0	SM 326275/1AX
70.00	85.00	25.00	70.40		RCK200700-N8C0	SM 334275/1BX
70.00	85.00	22.50	70.40		RCK100700-N8C0	SM 334275/1AX
70.00	90.00	30.00	70.40		RCK300700-N8C0	SM 354275/1AX
70.00	90.00	31.90	70.40		RCK400700-N8C0	SM 354275/2AX
75.00	95.00	30.00	75.40		RCK100750-N8C0	SM 374295/2CX
75.00	95.00	28.00	75.40		RCK000750-N8C0	SM 374295/2AX

^ Available upon request



## POLYPAC® - Selemaster SM

Rod Dia.	Groove Dia.	Groove Width	Dia.		TSS Article No. Standard	Description
			$d_N$ h9	$D_1$ +/-0.1		
76.20	95.25	24.60	76.60		RCK000762-N8C0	SM 375300/1AX
76.50	96.50	32.50	76.90		RCK000765-N8C0	SM 379301/1AX
80.00	100.00	30.00	80.40		RCK000800-N8C0	SM 393314/1AX
85.00	98.00	25.00	85.40		RCK000850-N8C0	SM 385334/1AX
85.00	105.00	30.00	85.40		RCK100850-N8C0	SM 413334/1AX
90.00	105.00	33.50	90.40		RCK100900-N8C0	SM 413354/1BX
90.00	105.00	25.00	90.40		RCK000900-N8C0	SM 413354/1AX
90.00	110.00	32.50	90.40		RCK300900-N8C0	SM 433354/2BX
90.00	110.00	30.00	90.40		RCK200900-N8C0	SM 433354/1AX
95.00	115.00	28.00	95.40		RCK000950-N8C0	SM 452374/1AX
100.00	114.30	24.20	100.40		RCK001000-N8C0	SM 450393/1AX
100.00	120.00	30.00	100.40		RCK101000-N8C0	SM 472393/1AX
105.00	118.00	25.00	105.40		RCK001050-N8C0	SM 464413/1AX
105.00	120.00	34.00	105.40		RCK101050-N8C0	SM 472413/1AX
110.00	130.00	32.50	110.40		RCK001100-N8C0	SM 511433/1AX
110.00	132.00	36.50	110.40		RCK101100-N8C0	SM 519433/1AX
115.00	130.00	30.00	115.70		RCK001150-N8C0	SM 511452/1AX
115.00	130.00	22.50	115.70		RCK101150-N8C0	SM 511452/2AX
120.00	135.00	22.50	120.70		RCK001200-N8C0	SM 531472/1AX
120.00	140.00	30.00	120.70	^	RCK101200-N8C0	SM 551472/1AX
125.00	145.00	29.60	125.70		RCK001250-N8C0	SM 570492/1AX
127.00	142.00	22.50	127.40		RCK001270-N8C0	SM 559500/1AX
130.00	150.00	28.00	130.70	^	RCK001300-N8C0	SM 590511/1AX
135.00	155.00	28.00	135.70		RCK001350-N8C0	SM 610531/1AX
140.00	160.00	28.00	140.70		RCK001400-N8C0	SM 629551/1AX
145.00	165.00	28.00	145.70		RCK001450-N8C0	SM 649570/1AX
150.00	170.00	28.00	150.70		RCK001500-N8C0	SM 669590/1AX
155.00	175.00	28.00	155.70		RCK001550-N8C0	SM 688610/1AX
158.50	180.00	28.00	159.20	^	RCK001585-N8C0	SM 708624/1AX
160.00	180.00	28.00	160.70		RCK001600-N8C0	SM 708629/1AX
165.00	185.00	30.00	165.70		RCK001650-N8C0	SM 729649/1AX
170.00	195.00	35.00	170.70		RCK001700-N8C0	SM 767669/1AX
180.00	205.00	35.00	180.70		RCK001800-N8C0	SM 807708/1AX
185.00	200.00	22.50	185.70		RCK001850-N8C0	SM 787728/2AX
185.00	210.00	35.00	210.70		RCK101850-N8C0	SM 826728/1AX
190.00	215.00	35.00	190.70		RCK001900-N8C0	SM 846748/2AX

^ Available upon request

# POLYPAC® - Selemaster SM



Rod Dia.	Groove Dia.	Groove Width	Dia.		TSS Article No. Standard	Description
			$d_N$ h9	$D_1$ +/-0.1		
200.00	225.00	35.00	200.70	^	RCK002000-N8C0	SM 885787/1AX
215.00	240.00	35.00	215.70		RCK002150-N8C0	SM 944846/1AX
220.00	245.00	35.00	220.70		RCK002200-N8C0	SM 964866/1AX
225.00	250.00	35.00	225.70		RCK002250-N8C0	SM 984886/1AX
230.00	255.00	35.00	230.70		RCK002300-N8C0	SM 1003905/1AX
240.00	265.00	35.00	240.70		RCK002400-N8C0	SM 1043945/1AX
250.00	275.00	35.00	250.70		RCK002500-N8C0	SM 1082984/1AX
260.00	280.00	30.00	260.70		RCK002600-N8C0	SM 11021024/1AX
265.00	290.00	35.00	265.70		RCK002650-N8C0	SM 11411043/1AX
275.00	300.00	35.00	275.70		RCK002750-N8C0	SM 11811082/1AX
280.00	305.00	35.00	280.70		RCK002800-N8C0	SM 12011102/1AX
300.00	325.00	35.00	300.70		RCK003000-N8C0	SM 12791181/1AX
335.00	360.00	35.00	335.70		RCK003350-N8C0	SM 14171318/1AX

^ Available upon request