

# Full-Lift-Safety-Valve, springloaded

for steam, gases and liquids in closed completion

## Typ 32

### Standard version:

Material:	Inlet body	/ Spring bonnet, outlet body	Temperature ranges metal seated
Typ 32.1: BG I	1.0460	/ 0.7043	-10°C to 280°C
BG II - IV	1.0460	/ 1.0619	-10°C to 350°C
Typ 32.2: BG I - IV	1.4571	/ 1.4581	-60°C to 350°C
Typ 32.7: BG I - IV	1.4571	/ 1.4308	-200°C to 280°C

Connections: soft seated  
Flange connections: DIN EN / ASME B16.5 see techn. appendix: KWD-1

### Approvals:

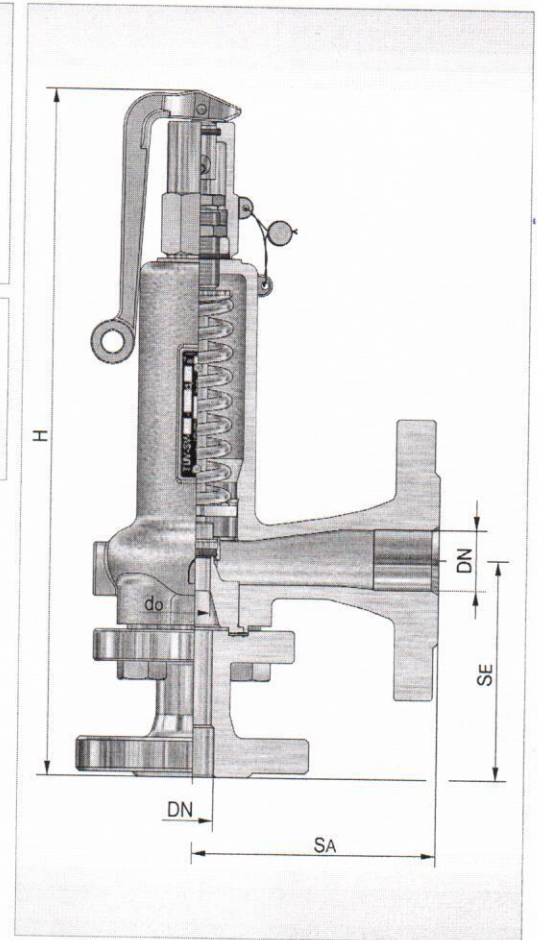
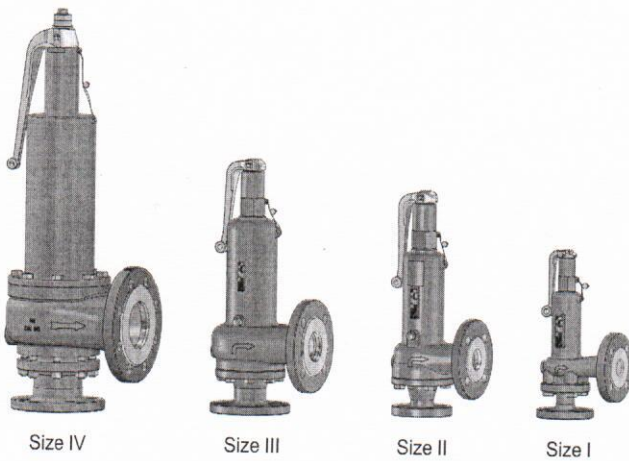
Pressure Equipment Directive: 97/23/EG  
Declaration of Conformity



### TÜV - Approval:

VdTÜV-leaflet  
AD 2000-leaflet A 2

TÜV • SV • XX-887 / 900 / 901 / 906 / 920 • do • D/G/F • α<sub>w</sub> • p



Size	Inlet				Outlet				Height 'H' for head			Coefficient		Set pressure		Weight ~ [kg]
	DN	NPS	PN / Class	do [mm]	SE [mm]	DN	NPS	PN / Class	SA [mm]	A [mm]	C [mm]	D/G α <sub>w</sub> max.	F α <sub>w</sub>	p min. [bar(g)]	p max. [bar(g)]	
I	15	1/2	63-160	8	115	25	1	16-40	100	307	293	0,79	0,41	6	250	4,6
			250 16-40 150-600	12,5	90			282		268	0,59	0,2		40	4,6	
II	20 25	3/4 1	16-63	16	105	32	1 1/4 1 1/2	16-40	105 115	395 405	375 385	0,68 0,54	0,44	0,1	40	10,2 11,2
			150-600	20	115			40		405	385	0,54		0,44	0,1	40
III	32 40	1 1/4 1 1/2	16-63	25	125	50	2 2 1/2	16-40	125 145	450 470	430 450	0,68 0,55	0,36	0,1	40 25	16,0 19,5
			150-600	32	145			65		2 1/2	150-300	145		470	450	0,55
IV	50 65	2 2 1/2	16-63	40	155	80	3	16-40	155 175	700 730	620 650	0,61 0,62	0,44	0,1	25 16	33,0 40,5
			150-600	50	175			100		4	150	175		730	650	0,62

other design on request