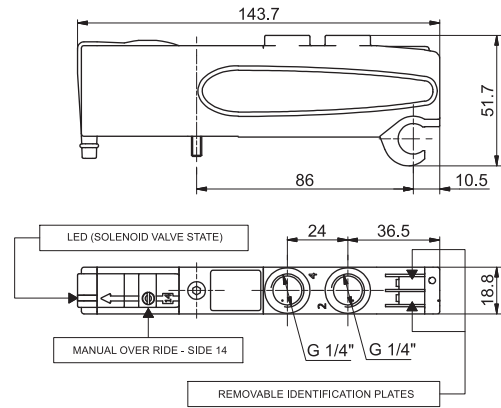




Solenoid - Spring

Ordering code
2531.52.00.39. ✓
VOLTAGE
✓ 02 = 24 VDC PNP
12 = 24 VDC NPN
05 = 24 VAC

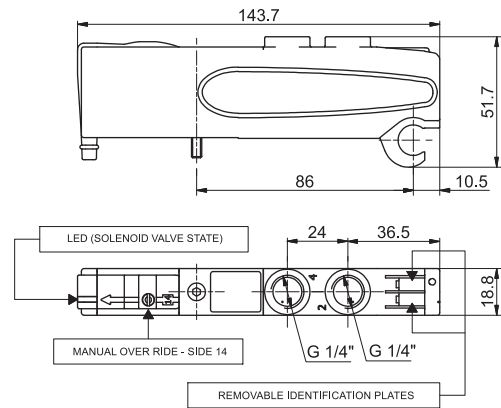


SHORT FUNCTION CODE "A"
 "Shifting time of pneumatic directional control valves or moving parts, logic devices were measured in accordance to ISO 12238:2001, Pneumatic fluid power - Directional control valves - Measurement of shifting time."

Operational characteristic							
Fluid	Flow rate at 6 bar with Δp=1 (NI/min)	Response time according to ISO 12238, activation time (ms)	Response time according to ISO 12238, deactivation time (ms)	Working pressure (bar)	Pressure range (bar) pi-lots 12-14	Temperature °C	Weight (gr.)
Filtered air, with or without lubrication	1000	14	40	From vacuum to 10	3 - 7 bar	-5° / +50°	123

Solenoid - Differential

Ordering code
2531.52.00.36. ✓
VOLTAGE
✓ 02 = 24 VDC PNP
12 = 24 VDC NPN
05 = 24 VAC

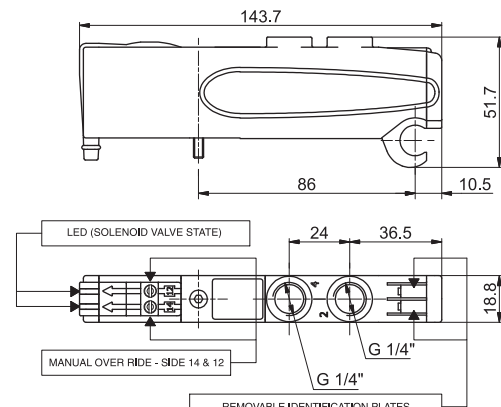
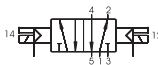


SHORT FUNCTION CODE "B"
 "Shifting time of pneumatic directional control valves or moving parts, logic devices were measured in accordance to ISO 12238:2001, Pneumatic fluid power - Directional control valves - Measurement of shifting time."

Operational characteristic							
Fluid	Flow rate at 6 bar with Δp=1 (NI/min)	Response time according to ISO 12238, activation time (ms)	Response time according to ISO 12238, deactivation time (ms)	Working pressure (bar)	Pressure range (bar) pi-lots 12-14	Temperature °C	Weight (gr.)
Filtered air, with or without lubrication	1000	20	29	From vacuum to 10	3 - 7 bar	-5° / +50°	120

Solenoid - Solenoid

Ordering code
2531.52.00.35. ✓
VOLTAGE
✓ 02 = 24 VDC PNP
12 = 24 VDC NPN
05 = 24 VAC



SHORT FUNCTION CODE "C"
 "Shifting time of pneumatic directional control valves or moving parts, logic devices were measured in accordance to ISO 12238:2001, Pneumatic fluid power - Directional control valves - Measurement of shifting time."

Operational characteristic							
Fluid	Flow rate at 6 bar with Δp=1 (NI/min)	Response time according to ISO 12238, activation time (ms)	Response time according to ISO 12238, deactivation time (ms)	Working pressure (bar)	Pressure range (bar) pi-lots 12-14	Temperature °C	Weight (gr.)
Filtered air, with or without lubrication	1000	10	14	From vacuum to 10	3 - 7 bar	-5° / +50°	128