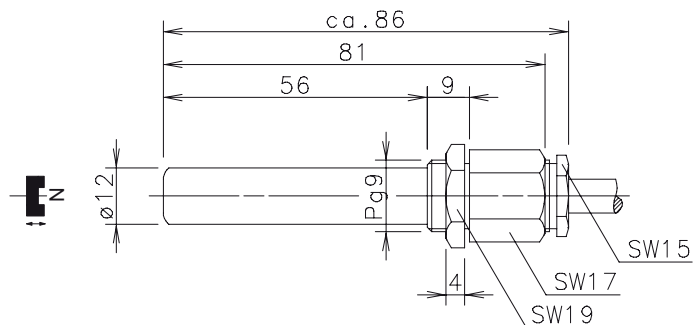
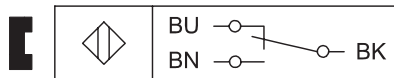


Magnetic switch Series MAA-06

Description **MAA-0613-LT-1**

Article number **6316306004**

Wiring diagramm



Technical data

Switching function	C.O.			
Reference magnet	T-61 N/S (6301261035)	T-67 N/S (6301167054)	T-62 N/S (6301262039)	T-69 N/S (6301269031)
Assured operating distance - ON	$S_a \geq 5 \text{ mm}$	$\geq 7 \text{ mm}$	$\geq 10 \text{ mm}$	$\geq 19 \text{ mm}$
Assured operating distance - OFF	$S_{ar} \leq 16 \text{ mm}$	$\leq 20 \text{ mm}$	$\leq 25 \text{ mm}$	$\leq 40 \text{ mm}$
Repeat accuracy	R	$\pm 0,1 \text{ mm}$, under same geometrical conditions at the same temperature		

Electrical data

Max. voltage	250 V AC / DC
Max. switching current	1,0 A
Max. switching capacity	60 VA
Protection class	I
Note	Combinations of switching voltage and switching current must not exceed the maximum switching capacity.

Mechanical data

Enclosure	Al / CuZn; encapsulated reed contact
Temperature range	- 40 °C ... + 150 °C
Mechanical life	3×10^8 operating cycles
Shock Vibration	50 g (11 ms / ½ Sinewave)
Vibration	35 g (10 - 1000 Hz)
Protection type	IP 67 acc. to EN 60529
Termination type	Cable 4 x 0,75 mm ² x 1 m $\pm 5 \%$; silicone -outer jacket black
Assembly position	optional (assembly on ferromagnetic material means reduction of switch distance)

Standards
EN 60947-5-1
EN 62246-1

EU Conformity
acc. to directive 2014/35/EU (Low-Voltage-Directive)

Notes
Contact protection must be provided for inductive and capacitive loads.