

## ST 151 LONGLIFE

---

Starters for series operation at 230 V AC



### Product features

---

- Temperature range for reliable cut-out: -20...+80 °C

## Technical data

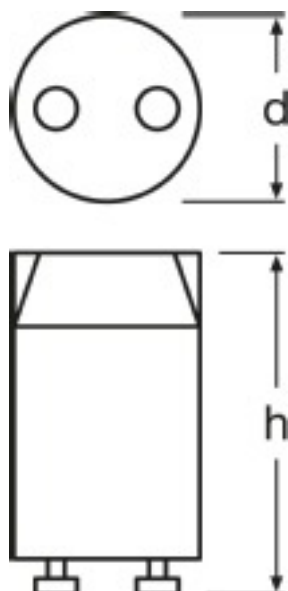
---

### Electrical data

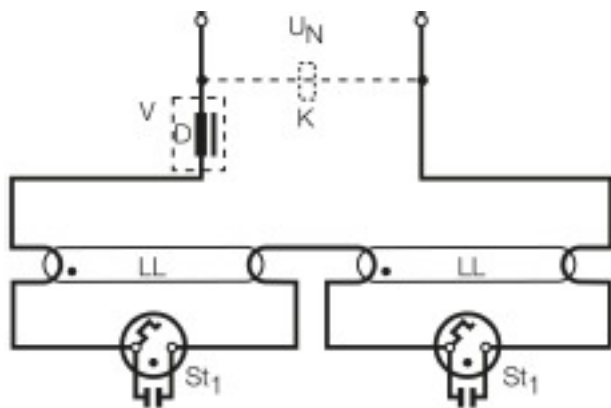
Nominal voltage	220...240 V
Mains frequency	50/60 Hz

### Dimensions & weight

Length	40,3 mm
--------	---------



*Product line drawing with letters*



Circuit diagram

**Logistical Data**

Product code	Packaging unit (Pieces/Unit)	Dimensions (height x width x length)	Gross weight	Volume
4050300012803	Unpacked 1	21 mm x 18 mm x 36 mm	12.60 g	0.01 dm <sup>3</sup>
4050300212876	Shipping carton box 1200	325 mm x 235 mm x 400 mm	8362.00 g	30.55 dm <sup>3</sup>
4050300092638	Blister 2	68 mm x 24 mm x 111 mm	26.10 g	0.18 dm <sup>3</sup>
4050300119595	Shipping carton box 20	133 mm x 154 mm x 165 mm	308.67 g	3.38 dm <sup>3</sup>
4050300854083	Unpacked 1	20 mm x 19 mm x 37 mm	6.64 g	0.01 dm <sup>3</sup>
4050300797885	Tray 25	111 mm x 59 mm x 111 mm	169.46 g	0.73 dm <sup>3</sup>
4050300797892	Shipping carton box 400	227 mm x 179 mm x 227 mm	2796.25 g	9.22 dm <sup>3</sup>

## Disclaimer

---

Subject to change without notice. Errors and omission excepted. Always make sure to use the most recent release.